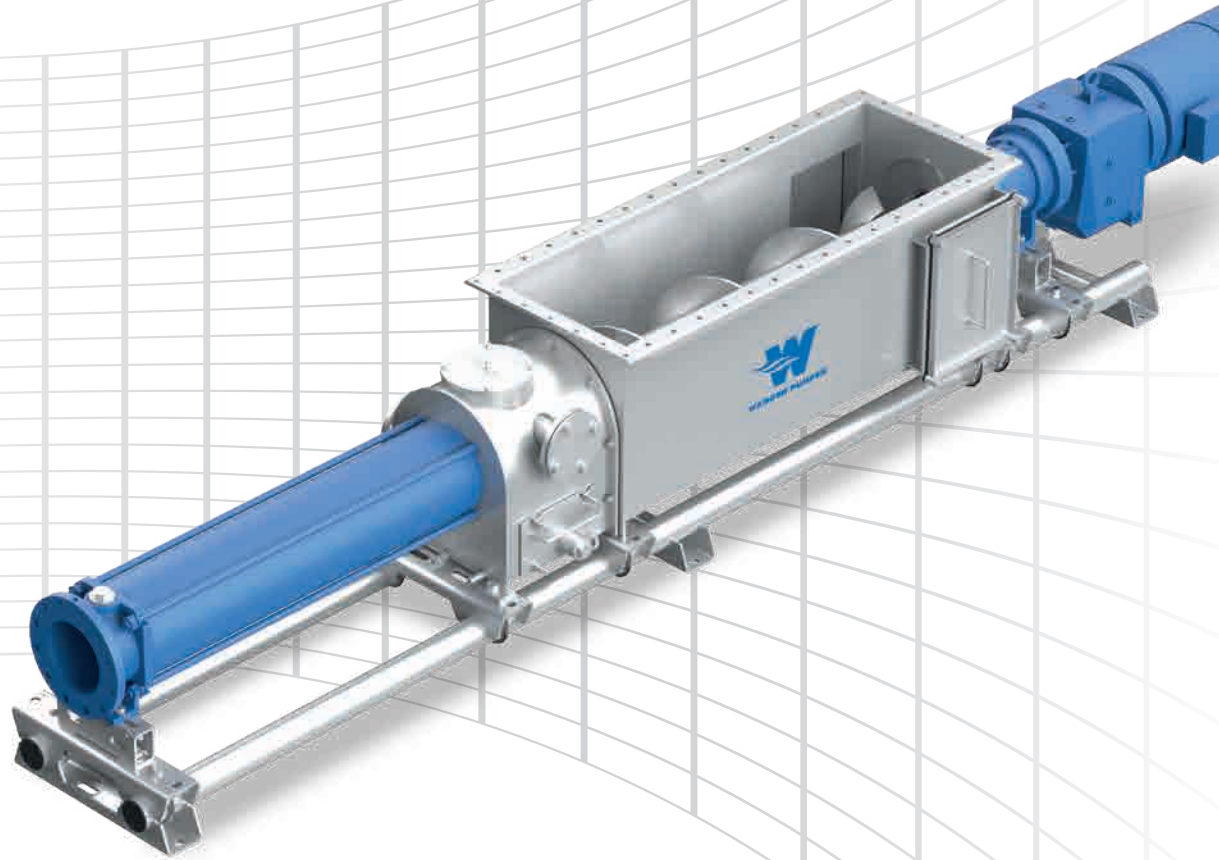




Hopper feed pump

WANGEN KL-R BIO-MIX with X-LIFT



The reliable solution, specifically for your anaerobic digestion plant. With the (r)evolution in pump technology: X-LIFT quick change system.

WANGEN KL-R BIO-MIX with X-LIFT

Rotor/stator removal in just 4 steps

The new WANGEN X-LIFT quick change system enables the removal of rotor and stator and the entire drive section (cardan shaft and joints) in just 4 steps.

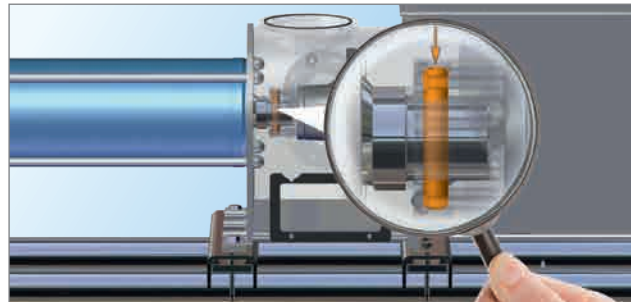
The pump remains in the installation position thus considerably reducing the amount of maintenance work compared to traditional pumps. An additional benefit of the X-LIFT quick change system of the WANGEN KL-R BIO-MIX with X-LIFT is that the maintenance procedure can generally be carried out by a single person, depending on the size of the pump.

Changing the complete rotor/stator section of the WANGEN BIO-MIX with X-LIFT can be carried out using 4 standard tools, quickly and easily.

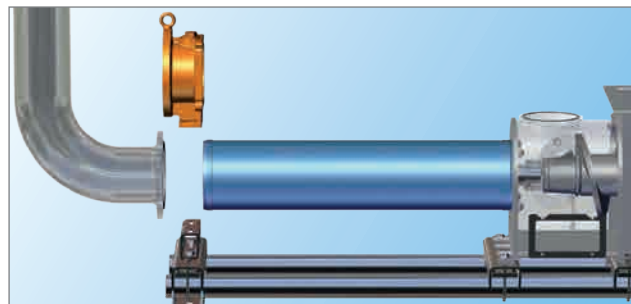
The WANGEN X-LIFT ensures reduced maintenance downtime and substantial labour savings.



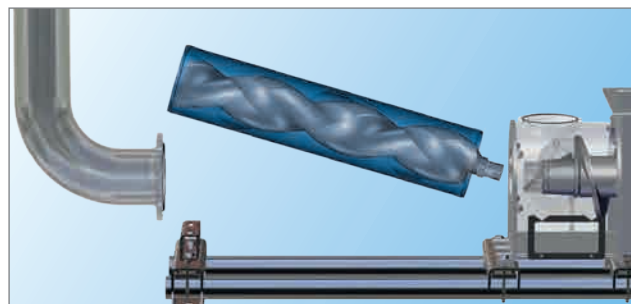
Only 4 standard tools are needed to carry out the change



Step 1: Remove the connecting bolt of the cardan joint to shaft.



Step 2: Undo the connecting rods on the discharge flange side, remove the discharge flange by lifting up.



Step 3: Pull the stator and rotor forwards and pull out of the pump housing.



Step 4: Remove the stator from the rotor. Done.

Functionality

The (r)evolutionary and safe solution

Changing of wear parts with very few actions, without removing the pump from the pressure-side pipeline. The WANGEN KL-R BIO-MIX X-LIFT manages this challenge even when there is very little space available thanks to FMIP - Full Maintenance in Place.

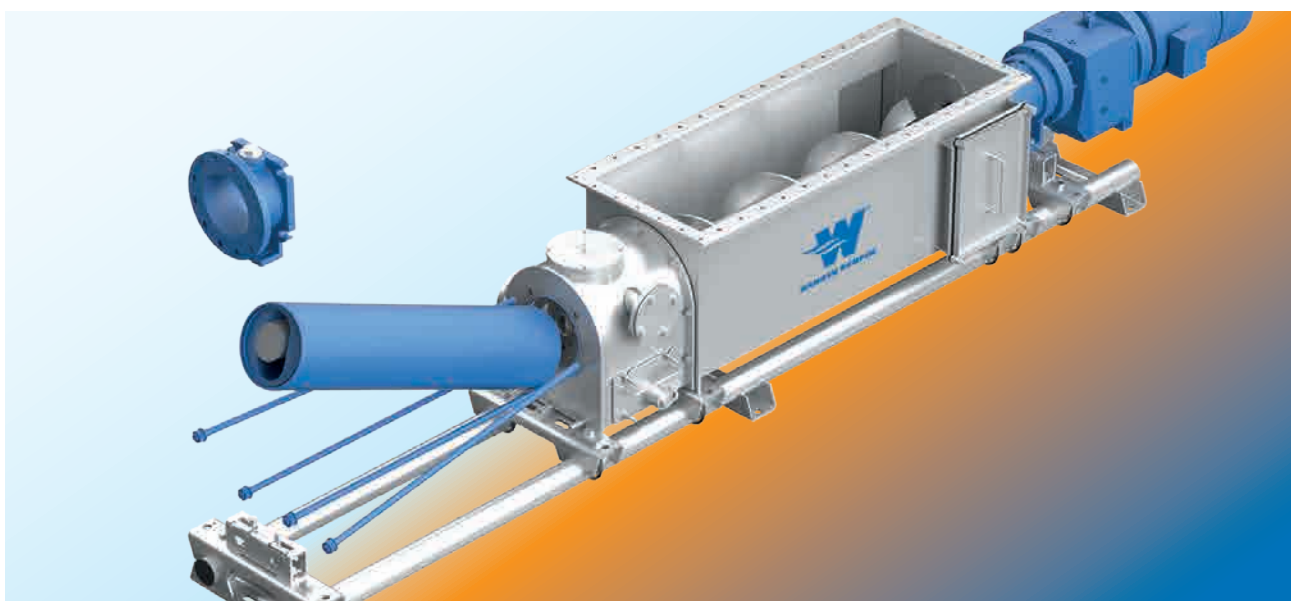
The innovative X-LIFT quick change system from WANGEN PUMPEN means that the BIO-MIX hopper remains attached to the substrate feeding system during changing the rotor/stator. There is no need to demount the piping to the fermenter during maintenance. This makes it easier to work even in less accessible locations and saves substantial time during maintenance. In consequence, the downtimes of the biogas plant is

enormously shorter than with other average pumps and therefore lot of money can be saved.

The innovative solution of the X-LIFT quick change system enables our customers a quicker and easy-to-service change of wear parts. This exclusive benefit is now offered by WANGEN PUMPEN also for the KL-R BIO-MIX.



The innovative WANGEN solution does not need additional housing design or stator sealing joints. The stator remains fully intact and does not have to be split. This design feature ensures that the pump stability and reliability remains inherent without any detriment to operating safety. Thus failure caused by stator leaking does not occur in the first place.





Tested quality

WANGEN PUMPEN Quality management is certified to ISO 9001.



Certified sustainability

The WANGEN PUMPEN environmental management is certified according to ISO 14001.



Your contact:

Pumpenfabrik Wangen GmbH

Simoniusstrasse 17
88239 Wangen im Allgäu
Germany
www.wangen.com

Technical consultation: +49 7522 997-0
Service hotline: +49 7522 997-997
Spare parts: +49 7522 997-896